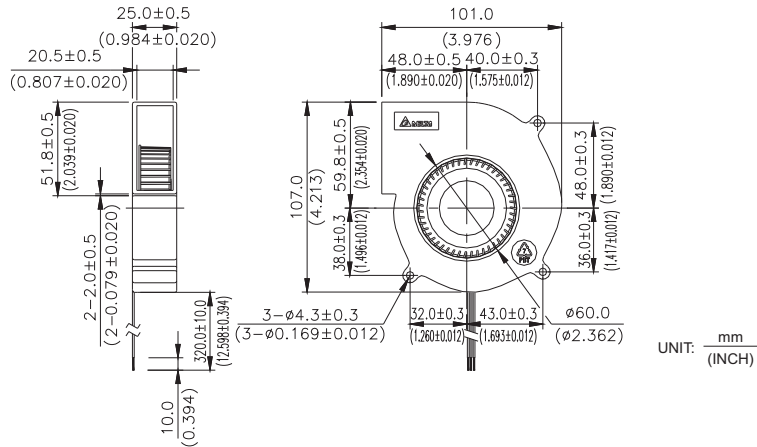
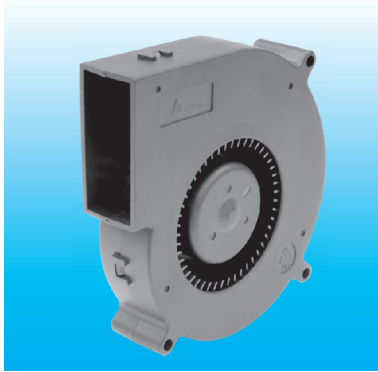


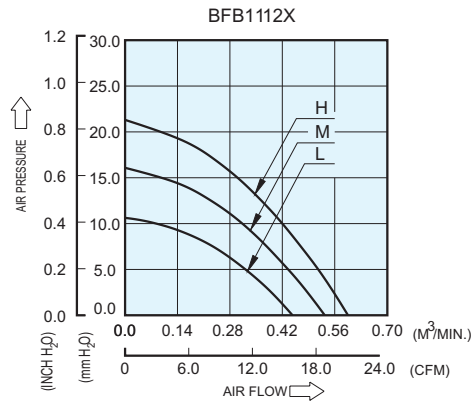
# BFB 101 x 107 x 25 MM SERIES

## DIMENSIONS DRAWING



- \* Bearing Type  
Ball Bearings
- \* Material  
Impeller & Frame : Plastic(UL 94V-0)
- \* Lead Wires :  
UL 1007 AWG #24 OR Equivalent  
Red Wire Positive(+)  
Black Wire Negative(-)
- \* Weight : 140.0g (4.94 OZ)

## P & Q CURVE (AT RATED VOLTAGE)



| MODEL    |             | Rated Voltage | Operating Voltage Range | Input Current | Input Power | Speed  | Maximum Air Flow    |       | Maximum Air Pressure |                     | Noise |
|----------|-------------|---------------|-------------------------|---------------|-------------|--------|---------------------|-------|----------------------|---------------------|-------|
| PART NO. | FUNCTION    | VDC           | VDC                     | Amp           | Watt        | R.P.M. | m <sup>3</sup> /min | CFM   | mmH <sub>2</sub> O   | IN H <sub>2</sub> O | dB-A  |
| BFB112L  | -R00 / -F00 | 12            | 4.0 to 13.8             | 0.19          | 2.28        | 2400   | 0.447               | 15.79 | 10.65                | 0.413               | 41.0  |
| BFB112M  | -R00 / -F00 | 12            | 4.0 to 13.8             | 0.30          | 3.60        | 2800   | 0.533               | 18.82 | 16.09                | 0.633               | 45.0  |
| BFB112H  | -R00 / -F00 | 12            | 4.0 to 13.2             | 0.51          | 6.12        | 3150   | 0.595               | 21.02 | 21.31                | 0.839               | 49.0  |

\* Function type is optional.  
 \* The max. air flow and the speed are measured in free air ; max. air pressure is measured at zero air flow.  
 \* Noise is measured in anechoic chamber in free air, one meter from intake side.  
 \* All readings are typical values at rated voltage.  
 \* Specifications are subject to change without notice.